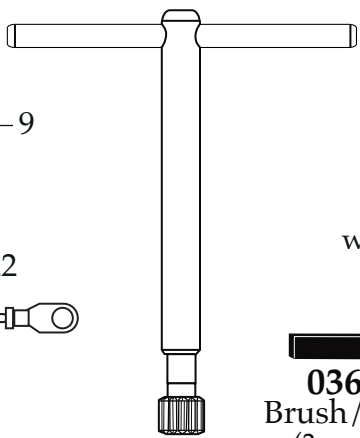
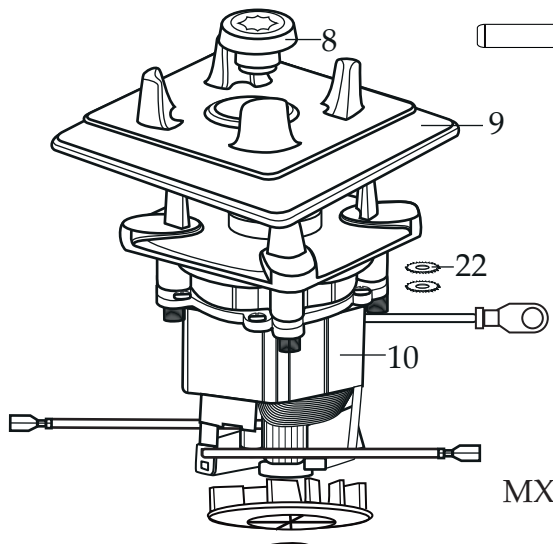


WARING COMMERCIAL

Saudi Arabia Variable Speed Blender
with a 64 oz. Stackable Raptor Container

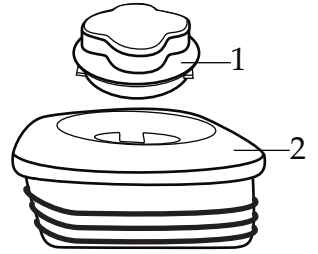
MX1200XTXEKSDI



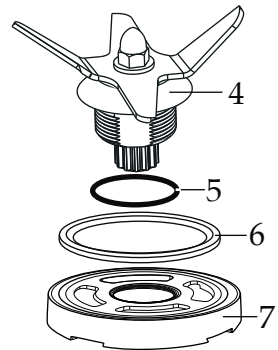
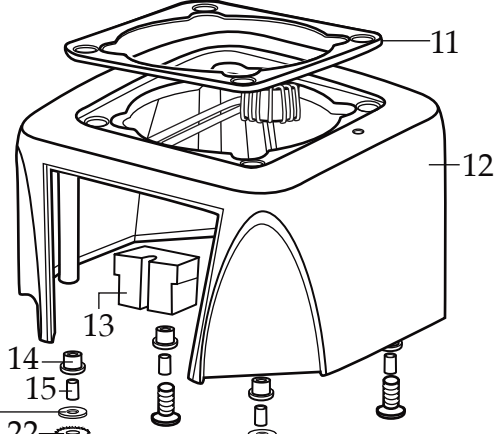
503351
MX Coupling Wrench
(optional)



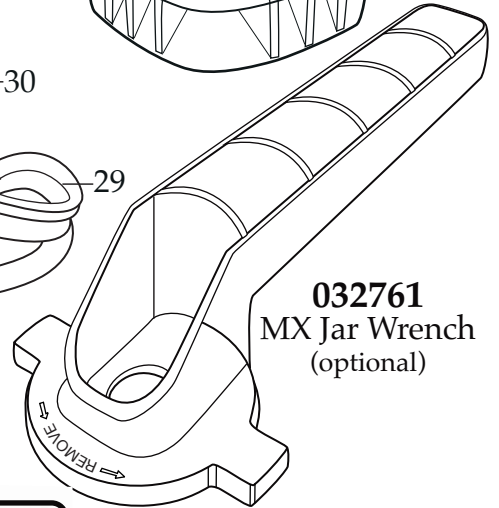
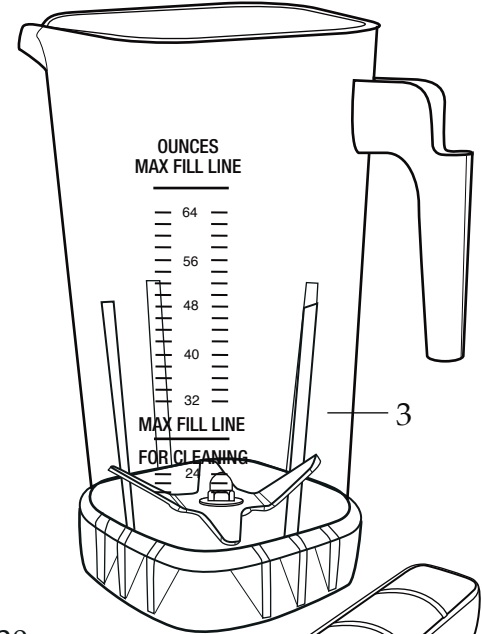
036743
Brush/Spring
(2 required)



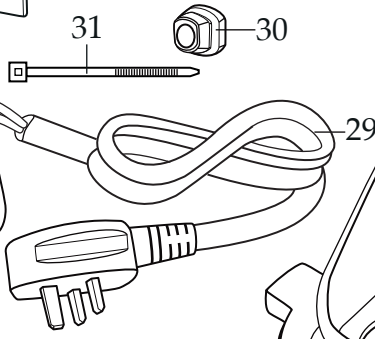
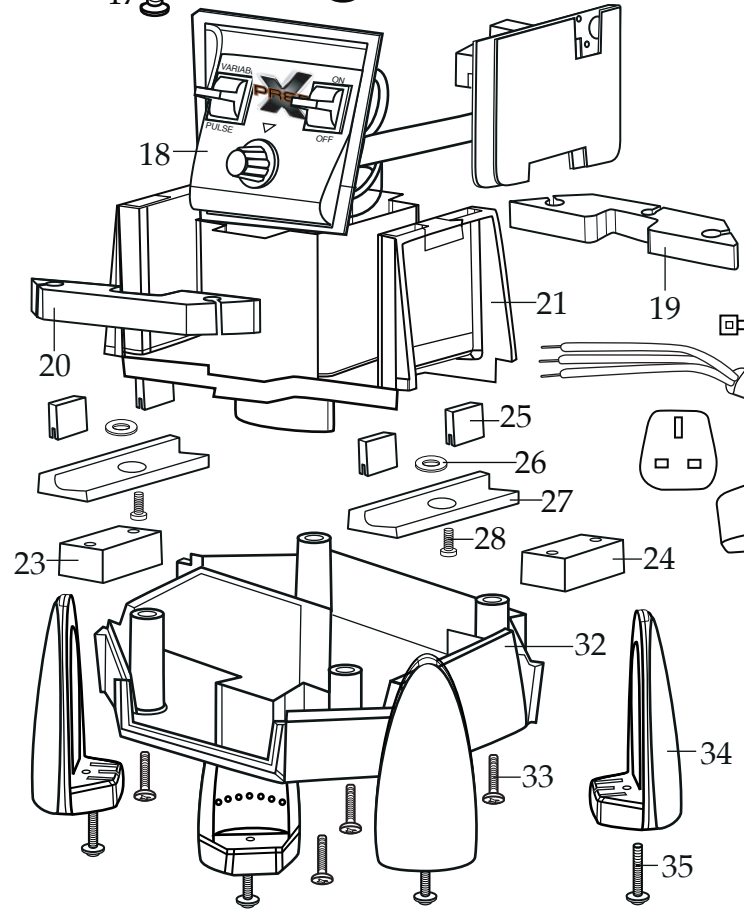
032322
2 Piece Lid



030889
Blending Assembly Kit



032761
MX Jar Wrench
(optional)



Date Code Location
YY|MM|DD
year|year|month|month|day|day

Illustration#	Part#	Description
1	028769-E	Jar Lid Cover
2	028768	Jar Lid
3	503326	64 oz. Stackable Raptor Container ONLY
	503398	64 oz. Stackable Raptor Container with Blending Assembly
4	503397	Blade Assembly
5	024271	Bearing Holder O Ring
6	024268	Nut Gasket
7	029631	Bearing Holder Nut
8	503601	Sq. Drive Coupling with Adapter <i>(on units after 3/29/2022)</i>
	503604	Sq. Drive Coupling with Adapter 2 Gen. <i>(changed after 6/1/2021)</i>
	028538	Drive Coupling
9	026442	Jar Pad
10	035399	Leili Motor with Sensor <i>(on units after 8/28/2017)</i>
	028824	ECM Motor with Sensor (use 035398)
11	038278	Dampening Plate Gasket <i>(on units after 8/25/2022)</i>
	026437	Dampening Plate Gasket
12	028032-09	Top Housing /black
13	028541	Motor Foam (2 required)
14	026439	Dampening Plate Bushing (4 required)
15	038486	Dampening Plate Sleeve (4 required <i>on units after 8/25/2022</i>)
	026453	Dampening Plate Sleeve (4 required)
16	026459	Washer (2 required)
17	028929	Sems (4 required)
18	036401	Control Panel with Interlock <i>(changed after 8/24 2018)</i> comes with switches-key board-main board-filter board
	034123	XPrep Soft Start Control Panel (use 036401)
19	028248	Top Housing Foam Rear Baffle
20	028249	Top Housing Foam Front Baffle
21	036814	Motor Housing 2.78" <i>(on units after 7/18/2019)</i>
	028240-67	67 mm Motor Housing <i>(on units after 8/22/2017)</i>
	028240	Motor Housing
22	002943	Washer (4 required)
23	028247	Bottom Housing Foam Baffle
24	028542	Foam Baffle
25	034900	PCB Cushion (4 required <i>on units after 7/18/2019</i>)
26	037232	Neoprene Washer (2 required <i>on units after 7/18/2019</i>)
27	037007	PCB Mounting Bracket (2 required <i>on units after 7/18/2019</i>)
28	013768	Screw (2 required <i>on units after 7/18/2019</i>)

Illustration#	Part#	Description
29	028680	Cord Set
30	012920	Strain Relief
31	013731	Cable Tie (3 required)
32	028241-09-X	Bottom Housing /black
33	012505	Screw (4 required)
34	026430	Corner Post (4 required)
35	028928	Sems (4 required)

